



Since 1966

ALAN PRE-FAB BUILDING CORPORATION

Contractor's License #269618

DATE: 6/29/2001 **PROPOSAL** | 6/29/2001

XX 17817 Evelyn Ave. Gardena CA 90248-3735
Tel: 1 310 538 0333 Fax: 1 310 538 0436
e-mail: bandrus@alanprefab.com

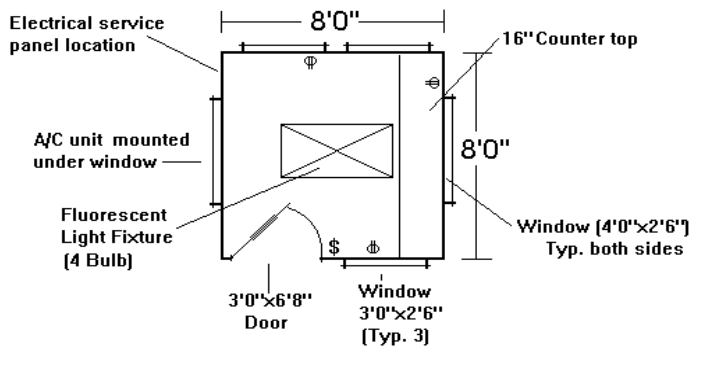
Name	Phone: 000 000 0000
Company	Project: 8'x8' Deluxe Guard House Wood Frame
Street	Fax: 000 000 0000
City,St,zip	e-mail none

We appreciate the opportunity to quote on your requirements:

- Project: 8'x8' Deluxe Guard House Wood Frame **Alan Model # 08088121**
- Basic Building. Skid Mounted on 4x6 pressure treated skids
 - Interior - Lined
 - Insulation- R-11 Walls, R-19 Ceiling
 - 1/4" Birch wood interior paneling over 2x4 studs, 16" on center
 - 1/2" taped and painted gypsum board ceiling over 2x6 joists 24" on center
 - 1/8" V.C. Floor tiles, Armstrong over 3/4" T&G plywood and 2x6 joist 16" on center
 - 5/8" T-111 exterior siding with metal trimout. Painted: Beige,Off White, Grey, Blue, Dark Brown
 - Lo Profile roof design. 30 G galvanized steel over 1/2" CDX plywood underlayment
 - 1 -3-0x6-8 RLC steel clad entry door, with lever passage set and deadbolt (18"x18" clear glass insert)
 - 3 -Windows - 3-0x2-6 Aluminum sliding windows, clear glass
 - 2 -Windows - 4-0x2-6 Aluminum sliding windows, clear glass
 - 8 -16" Melamine Counter, interior
 - 1 -Electrical Subfeed Load Center, 125 Amp, Single Phase, snap in circuit breakers
 - 3 -Duplex receptacles
 - 1 -Light switches (50% reduction for rooms over 100 S.F.)
 - 1 -4 ft, 2 bulb Fluorescent light fixture, with lamps and lense covers
 - Delivery to: Los Angeles Basin to best access, unloading by others (requires forklift or crane)

Standard 8x8 Guard House

Model # 08088121 Floor Plan



BUILDING PURCHASE PRICE:

\$4,475 Each, Plus applicable taxes
FOB Los Angeles Basin
See extended Freight
Schedule for 48 State
Freight Charges

Option: -3/4 ton Friedrich air conditioner/heater, room unit, 120V, frame, wiring & installation

PURCHASE PRICE: \$1,100 Each, Plus Applicable Taxes

Items not included: Any features not specifically listed in proposal.

PAYMENT TERMS: 1/3 Deposit, Balance due when ready for delivery. Or negotiated with credit approval

Other purchase terms apply per Additional Terms, Covenants, and Conditions of Sale

Acceptance: The specifications, conditions, and payment terms are agreed to: By: X

Please return one copy. Order will be commenced upon our receipt of signed proposal, and deposit (if required).